

# INDUSTRIAL SIRENS & SOUNDERS

## MOTORISED LONG RANGE SIRENS

### OVERVIEW

A robust, rugged cast aluminium siren with a very powerful low frequency output. Ideally suited for use in factories, refineries, quarries, construction and industrial sites, as well as both underground and surface non-refinery mines.

### SIRENCO 5S 240

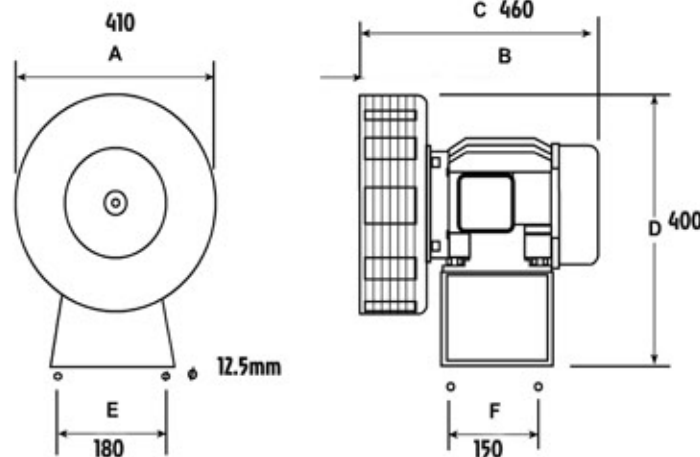
- ❖ Sound output 129dB(A)1m
- ❖ Low penetrating tone
- ❖ Weatherproof



#### SPECIFICATIONS

VOLTAGE	CURRENT
2.2kW - 240V	220V - 7Amp

Sound Output:	129dB(A) 1m
Sound Frequency:	560Hz
Rating:	IP56
Construction:	Aluminium/cast iron
Dimensions:	420X 460X 400mm
Weight:	45Kg



All Dimensions in mm

#### DETAILED SPECIFICATIONS

VOLTAGE	240V Single Phase
DUTY CYCLE	Continuous
SOUND OUTPUT	129 dB(A) at 1m
SOUND FREQUENCY	560Hz
APP. RANGE	5000m in still air on open field
MOTOR	2.2KW motor - 2875 rpm
CURRENT CONSUMPTION*	240 V - 7A
IP RATING	IP 56
WEIGHT	45 Kg
PACKING DIMENSIONS	50 X 45X 50cm - 50Kg
MOUNTING	The unit should ideally be mounted in a horizontal position. In environments where dirt or particles may fall onto the moving parts of the siren's impellers, it is recommended to place a protective shield above the unit for protection.