


EXD Bell

The Exd Bell is designed for use in Zone 1 and 2 areas and for areas requiring a high degree of weatherproof protection. IP66 rated and certified to ATEX II 2G Exd e IIC T6, it can be used in almost any environment.

With a sound output of up to 105dB, it provides a clear signal which stands out against background noise. A telephone ringing version is also available.

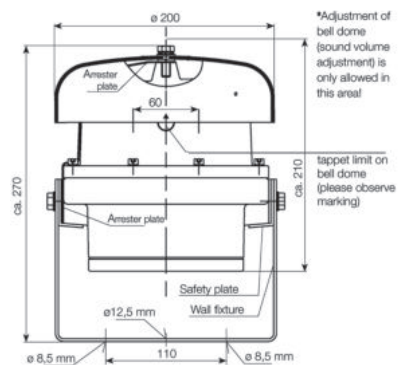
The housing is manufactured from glass fibre reinforced polyester with stainless steel fittings designed to cope in arduous conditions. In addition, all DC versions are equipped with a non-wearing electronic contact breaker which gives a long and reliable life.

Features

- Rated for Category 2 use (formerly Zone 1 & 2)
- ATEX approved
-  II 2G Exd e IIC T6
- Clear audible signal designed to penetrate background noise
- Weatherproof to IP66
- Rugged construction
- Choice of voltages



Applications - General signalling; telephone ringing; fire and process control alarm



Specifications

| Part No. | Colours | Audibility (tone) at 1m (typical) | Tones (Up to) | Voltage (50/60Hz) | Current (tone dependent) |
|----------|------------|-----------------------------------|---------------|-------------------|--------------------------|
| TCA-0002 | Black/grey | Up to 105dB (A) | 1 | 230V AC | 60mA |
| TCA-0003 | Black/grey | Up to 105dB (A) | 1 | 110V AC | 140mA |
| TCA-0004 | Black/grey | Up to 105dB (A) | 1 | 24V DC | 320mA |

IP Rating: IP66 **Operating Temp:** -20°C to +40°C **Construction:** Glass Fibre Reinforced Polyester **Cable Entries:** 1 **Weight:** 3.5kg