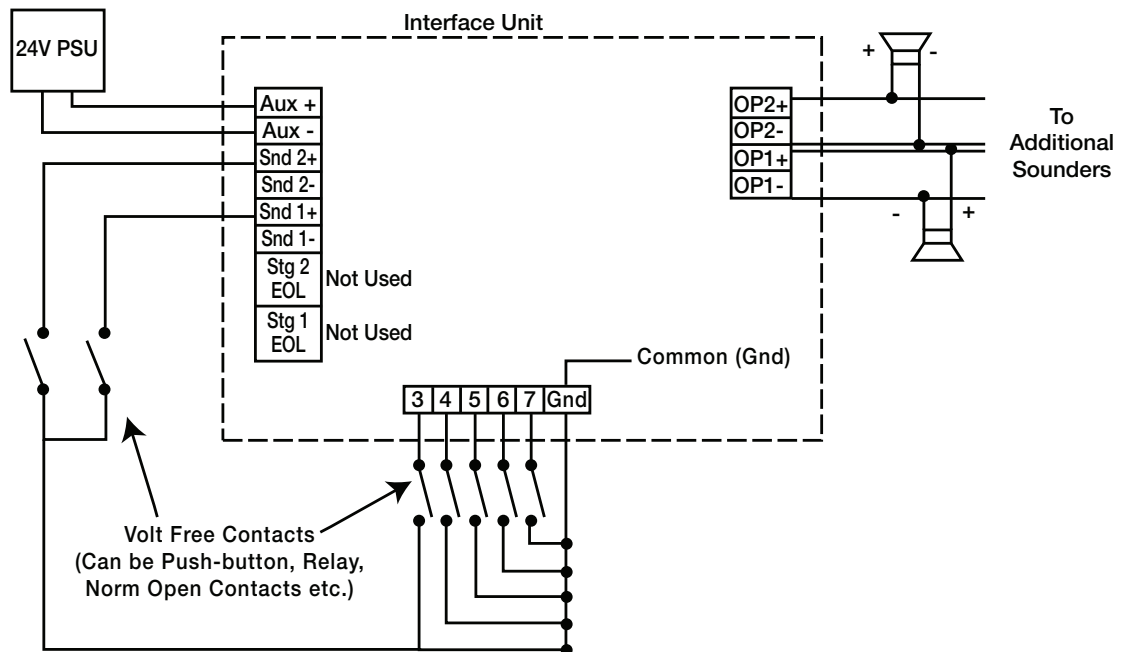


### Industrial 2-Wire Interface System



## Installation

- The interface uses seven dedicated volt-free inputs to enable control of up to seven different messages in Klaxon's Voice Enhanced Sounders via a simple two-core cable.
- The interface requires an external 24V DC power supply. The supply must be sufficiently rated to power all the sounders connected to the output of the interface.
- Up to 7 volt-free activated inputs can be connected to SND1+, SND2+ and terminals 3,4,5,6,7 in the interface unit. (SND1- and SND2- have no function and should not be connected)
- The Voice-Enhanced sounders are then connected to the '+O/P1-' and/or '+O/P2-' terminals of the controller.

## Message activation:

- The pre-programmed messages are activated by applying a closed contact such as a pushbutton or relay to the appropriate inputs.
- The message will play on a continuously repeating loop until the contact is re-opened. Nexus Sounders can be pre-programmed to only play the message once by setting the alerting tone to Tone 64. See the programming guide on the CD supplied with the sounder for details.

## Technical Specification

Supply Voltage Range .....	17-28V DC
Total Sounder Load .....	1A Max per output
Current .....	45mA (active alarm), 16mA (quiescent)
Remote Tone Switching .....	Up to 7 pre-programmed messages
Operating Temperature .....	- 25°C to +70°C
Casing .....	Polycarbonate

