

Syrex IS Range

The Syrex IS Sounder is an intrinsically safe alarm sounder which provides an audible warning signal in hazardous area applications.

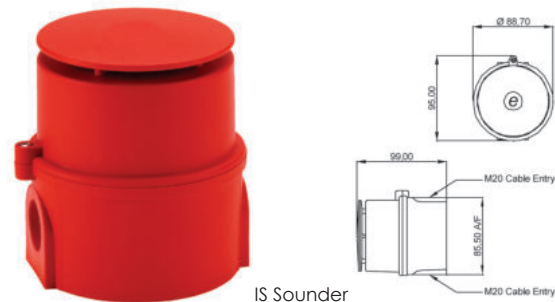
With three alarm stages and a low current consumption, the Syrex IS Sounder is ideal for both fire and process control applications.

The Syrex IS Sounder needs to be used with a galvanic isolator specified by the system certificates.

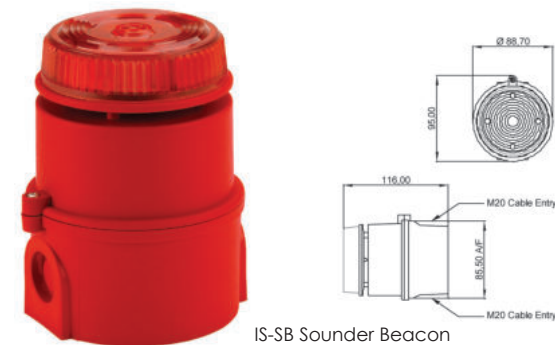
Features

- Rated for Category 1
- ATEX approved
- II 1G EEx ia IIC T4
- Choice of 49 tones
- Choice of lens colours
- Auto synchronised sound output
- ABS flame retardant UL94V0 & 5VA housing
- Weatherproof to IP65
- Volume control
- Voltage 6-28V DC

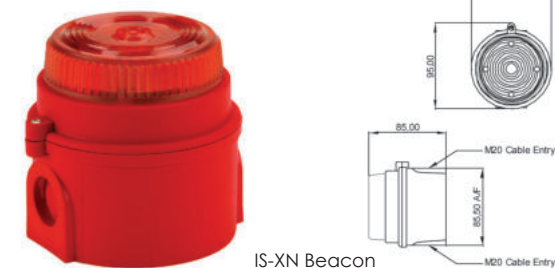
Lens Colour Options



IS Sounder



IS-SB Sounder Beacon



IS-XN Beacon

Specifications

Part No.	Description	Lens Colours	Audibility at 1m (tone dependent)	Tones	Current (tone dependent)
TCA-0023	IS Sounder	-	Up to 100dB (A)	49	25mA typical
TCA-0029	IS-SB Sounder Beacon	Red	Up to 100dB (A)	49	48mA typical
TCA-0037	IS-SB Sounder Beacon	Amber	Up to 100dB (A)	49	48mA typical
TCA-0038	IS-SB Sounder Beacon	Blue	Up to 100dB (A)	49	48mA typical
TCA-0039	IS-SB Sounder Beacon	Green	Up to 100dB (A)	49	48mA typical
TCA-0026	IS-XN Beacon	Red	N/A	N/A	25mA typical
TCA-0033	IS-XN Beacon	Amber	N/A	N/A	25mA typical
TCA-0034	IS-XN Beacon	Blue	N/A	N/A	25mA typical
TCA-0067	IS-XN Beacon	Green	N/A	N/A	25mA typical

Accessories

Part No.	Accessories
TCA-0042	Single Channel Galvanic Isolator
TCA-0066	Dual Channel Galvanic Isolator
TCA-0065	IS DIN Rail Enclosure – will accept 2 x isolators

For a full list of the certificate numbers relating to this product, please contact Klaxon Signals directly. **IP Rating:** IP65 **Frequency:** Flash rate 2Hz or 1Hz (double flash) **Operating Temp:** -40°C to +60°C **Construction:** High Impact ABS Flame Retardant **Cable Entries:** 2 **Weight:** 0.35kg